

铝壳电阻(Aluminum Housed Resistors)ASZ4020/6030、4026/6038 40W-800W

高稳定,抗脉冲,电动汽车预充电、工控制动优选产品;

High stability,Anti-impulse,preferred products for electric vehicle precharge&industrial control braking.

可搭配散热装置使用;满载使用时按额定功率的2-3倍标配

Can be used with cooling device.When used under full load, configured as standard according to 2-3 times of rated power.



■ 结构 (Structure)

- 1.核心电阻芯部件采用绝缘耐高温材料作为电阻骨架,选用高级优质合金丝均匀绕制,外加金属铝外壳,以高绝缘不燃性电子浆料进行灌封,使铝外壳与电阻核心部件紧密结合成一个坚实稳固的实体,不受外界空气、振动和灰尘影响,具有很高的稳固性和热传导性。

The resistors core components are made of insulating and high-temperature resistant materials as the resistors framework, evenly wound with high-quality alloy wires.Metal aluminum shell potted with high insulation non-combustible electronic paste,so that the aluminum shell and the resistance core components are closely combined into a solid entity, not affected by external air, vibration and dust,with high stability and thermal conductivity.

- 2.铝外壳采用优质工业型6063铝材,并经过表面高温阳极处理,以达到更好的外观和散热效果。

The aluminum shell is made of high-quality industrial 6063 aluminum, and the surface is high-temperature anodized to achieve attractive appearance and great heat dissipation.

■ 特点(Features)

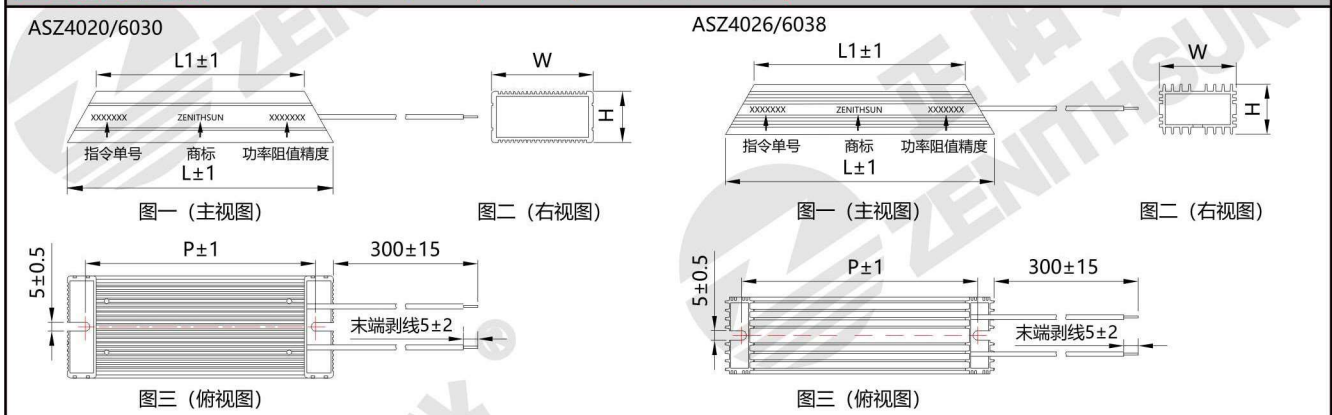
- 1.属经济型铝壳电阻,新能源汽车预充电行业优选产品。
Economical ,preferred product in the new energy vehicles precharge industry.
- 2.功率范围:40W-800W
Power Range:40W-800W
- 3.具有高稳定、耐冲击、易安装;可靠性好,产品一致性高的特点。
High stability,impact resistance and easy installation;Good reliability & high consistency
- 4.引出端采用耐高温导线连接或金属端片连接,方便客户任意连接。
Ends outgoing:flying leads or metal terminals.
- 5.可依客户要求内置或外置温度开关。
In or external temperature switch available;
- 6.可供应有感或无感式(无感式感量偏低)。
Inductive or Non-inductive available;
- 7.防水等级:根据客户要求定制。
Waterproof Grade: Custom designs welcome
- 8.通常用作负载、制动、脉冲、充电、放电、启动、缓冲、泄放等。
Used for loading,braking,pulse,charging,discharging,starting, buffering, discharging,ect.

■ 适用范围 (Application)

深圳市正阳兴电子的系列铝壳电阻生产周期为2-3周,广泛用于变频器、电梯、起重、船舶、电力、焊接、电源、军工、航空、风力发电、太阳能发电、自动化设备、铁路系统等行业,并可以根据客户的需要,制作成电阻箱或电阻柜。

Production Time : 2-3 weeks .Widely used in frequency converter, elevator, hoisting, ship, electric power, welding, power supply,military industry,aviation, wind power generation, solar power generation, automation equipment, railway system and other industries, and can be made into load banks according to the customers requests.

■ 产品尺寸图表ASZ4020/6030,4026/6038 (Dimension Chart)



型号 Type	功率 Power	阻值范围 Resistance Range	精度 Tolerance	尺寸 Dimensions(mm)					净重(g) N.W	温度系数 T.C.R
				L±1	W±0.5	H±0.5	P±1	L1±1		
ASZ4020/4026	40W	0.1Ω-3.3KΩ	J (±5%) G (±2%) F (±1%)	90	40	20/26	75	60	120	±100PPM ~ ±400PPM
	50W-60W	0.1Ω-4.7KΩ		115	40	20/26	100	85	150	
	80W-100W	0.1Ω-5.1KΩ		140	40	20/26	125	110	200	
	120W-150W	0.1Ω-6.2KΩ		185	40	20/26	170	155	265	
ASZ6030/6038	200W-250W	0.1Ω-10KΩ		165	60	30/38	150	130	450	
	300W	0.1Ω-10KΩ		215	60	30/38	200	180	630	
	400W	0.1Ω-15KΩ		265	60	30/38	250	230	820	
	500W-600W	0.1Ω-15KΩ		335	60	30/38	320	300	1100	
	700W-800W	0.1Ω-20KΩ	365	60	30/38	350	330	1200		

备注: 如有特殊要求或者参数超出以上标准可协商供货, 可作如下改变

1. 铝外壳尺寸 (尺寸W和H可互换位置); 2. 铝外壳颜色; 3. 安装孔大小; 4. 安装孔心距; 5. 引出端材质, 线径及长度; 6. 引出端连接器
- Note: other on requests are available: 1. Size: W can be H, H also can be W; 2. Shells colour; 3. Installation holes size; 4. Installation holes distance; 5. Flying leads /Metal Terminals; 6. Flying leads connector.

■ 定货示例 (How to order)

ASZ	4020	100W	20R	J	N
↓	↓	↓	↓	↓	↓
型号	尺寸	功率	标称阻值	精度 (J: ±5%, G: ±2%, F: ±1%)	无感 (有感不标注)
Type	Dimensions	Power	Nominal value	Tolerance (J: ±5%, G: ±2%, F: ±1%)	Non Inductive Resistor (to specify add N)

大功率铝壳电阻(High Power Aluminum Housed Resistors)ASZ7045/50107 1KW-3KW

高稳定,抗脉冲,电动汽车预充电、工控制动优选产品;

High stability,Anti-impulse,preferred products for electric vehicle precharge&industrial control braking.

可搭配散热装置使用;满载使用时按额定功率的2-3倍标配

Can be used with cooling device.When used under full load, configured as standard according to 2-3 times of rated power.



■ 结构 (Structure)

- 1.核心电阻芯部件采用绝缘耐高温材料作为电阻骨架,选用高级优质合金丝均匀绕制,外加金属铝外壳,以高绝缘不燃性电子浆料进行灌封,使铝外壳与电阻核心部件紧密结合成一个坚实稳固的实体,不受外界空气、振动和灰尘影响,具有很高的稳固性和热传导性。

The resistors core components are made of insulating and high-temperature resistant materials as the resistors framework, evenly wound with high-quality alloy wires.Metal aluminum shell potted with high insulation non-combustible electronic paste,so that the aluminum shell and the resistance core components are closely combined into a solid entity, not affected by external air, vibration and dust,with high stability and thermal conductivity.

- 2.铝外壳采用优质工业型6063铝材,并经过表面高温阳极处理,以达到更好的外观和散热效果。

The aluminum shell is made of high-quality industrial 6063 aluminum, and the surface is high-temperature anodized to achieve attractive appearance and great heat dissipation.

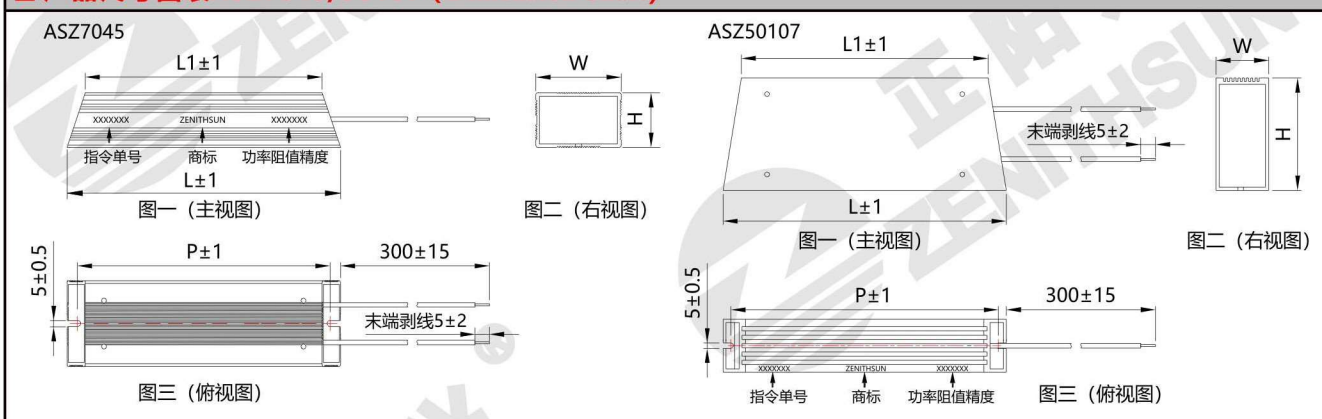
■ 特点(Features)

- 1.属于大功率铝壳电阻。
High Power Aluminum Housed Resistors.
- 2.功率范围:1KW-3KW
Power Range:1KW-3KW
- 3.具有高稳定、耐冲击、易安装;可靠性好,产品一致性高的特点。
High stability,impact resistance and easy installation;Good reliability & high consistency
- 4.引出端采用耐高温导线连接或金属端片连接,方便客户任意连接。
Ends outgoing:flying leads or metal terminals.
- 5.可依客户要求内置或外置温度开关。
In or external temperature switch available;
- 6.可供有感或无感式(无感式感量偏低)。
Inductive or Non-inductive available;
- 7.防水等级:根据客户要求定制。
Waterproof Grade: Custom designs welcome
- 8.通常用作负载、制动、脉冲、充电、放电、启动、缓冲、泄放等。
Used for loading,braking,pulse,charging,discharging,starting, buffering, discharging,ect.

■ 适用范围 (Application)

深圳市正阳兴电子的系列铝壳电阻生产周期为2-3周,广泛用于变频器、电梯、起重、船舶、电力、焊接、电源、军工、航空、风力发电、太阳能发电、自动化设备、铁路系统等行业,并可以根据客户的需要,制作成电阻箱或电阻柜。
Production Time : 2-3 weeks .Widely used in frequency converter, elevator, hoisting, ship, electric power, welding, power supply,military industry,aviation, wind power generation, solar power generation, automation equipment, railway system and other industries, and can be made into load banks according to the customers requests.

■ 产品尺寸图表ASZ7045/50107 (Dimension Chart)



型号 Type	功率 Power	阻值范围 Resistance Range	精度 Tolerance	尺寸 Dimensions(mm)					净重(kg) N.W	温度系数 T.C.R
				L±1	W±0.5	H±0.5	P±1	L1±1		
ASZ7045	1000W	0.5Ω-22KΩ	J (±5%) G (±2%) F (±1%)	335	70	45	320	300	1.80	±100PPM ~ ±400PPM
	1200W	0.5Ω-22KΩ		400	70	45	385	365	2.20	
	1500W	1Ω-22KΩ		450	70	45	435	415	2.45	
	2000W	1Ω-22KΩ		500	70	45	485	465	2.75	
ASZ50107	1000W	0.5Ω-22KΩ		335	50	107	320	300	3.00	
	1200W	0.5Ω-22KΩ		400	50	107	385	365	3.60	
	1500W	1Ω-22KΩ		450	50	107	435	415	4.00	
	2000W	1Ω-22KΩ		500	50	107	485	465	4.50	
	2500W	1Ω-22KΩ	550	50	107	535	515	5.00		

备注: 如有特殊要求或者参数超出以上标准可协商供货, 可作如下改变

- 1.铝外壳尺寸(尺寸W和H可互换位置); 2.铝外壳颜色; 3.安装孔大小; 4.安装孔心距; 5.引出端材质,线径及长度; 6.引出端连接器
- Note: other on requests are available: 1. Size: W can be H, H also can be W; 2. Shells colour; 3. Installation holes size; 4. Installation holes distance; 5. Flying leads /Metal Terminals; 6. Flying leads connector.

■ 定货示例 (How to order)

ASZ	7045	1KW	20R	J	N
↓	↓	↓	↓	↓	↓
型号	尺寸	功率	标称阻值	精度 (J: ±5%, G: ±2%, F: ±1%)	无感 (有感不标注)
Type	Dimensions	Power	Nominal value	Tolerance (J: ±5%, G: ±2%, F: ±1%)	Non Inductive Resistor (to specify add N)

大功率铝壳电阻(High Power Aluminum Housed Resistors)ASZ12840 2KW-3KW

高稳定,抗脉冲,电动汽车预充电、工控制动优选产品;

High stability,Anti-impulse,preferred products for electric vehicle precharge&industrial control braking.

可搭配散热装置使用;满载使用时按额定功率的2-3倍标配

Can be used with cooling device.When used under full load, configured as standard according to 2-3 times of rated power.



■ 结构 (Structure)

1.核心电阻芯部件采用绝缘耐高温材料作为电阻骨架,选用高级优质合金丝均匀绕制,外加金属铝外壳,以高绝缘不燃性电子浆料进行灌封,使铝外壳与电阻核心部件紧密结合成一个坚实稳固的实体,不受外界空气、振动和灰尘影响,具有很高的稳固性和热传导性。

The resistors core components are made of insulating and high-temperature resistant materials as the resistors framework, evenly wound with high-quality alloy wires.Metal aluminum shell potted with high insulation non-combustible electronic paste,so that the aluminum shell and the resistance core components are closely combined into a solid entity, not affected by external air, vibration and dust,with high stability and thermal conductivity.

2.铝外壳采用优质工业型6063铝材,并经过表面高温阳极处理,以达到更好的外观和散热效果。

The aluminum shell is made of high-quality industrial 6063 aluminum, and the surface is high-temperature anodized to achieve attractive appearance and great heat dissipation.

■ 特点(Features)

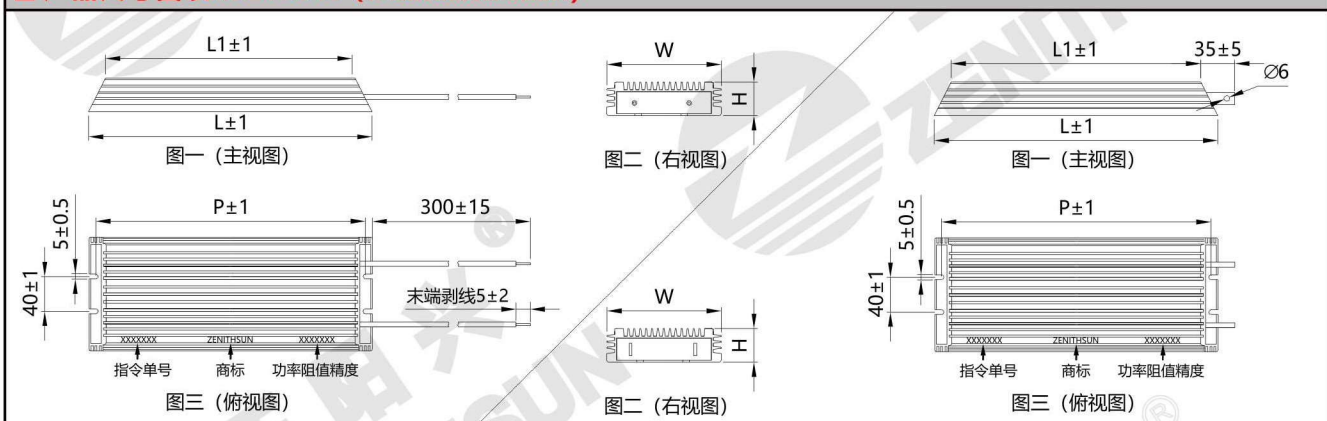
- 属于大功率铝壳电阻。
High Power Aluminum Housed Resistors.
- 功率范围:2KW-3KW
Power Range:2KW-3KW
- 具有高稳定、耐冲击、易安装;可靠性好,产品一致性高的特点。
High stability,impact resistance and easy installation;Good reliability & high consistency
- 引出端采用耐高温导线连接或金属端片连接,方便客户任意连接。
Ends outgoing:flying leads or metal terminals.
- 可依客户要求内置或外置温度开关。
In or external temperature switch available;
- 可供有感或无感式(无感式感量偏低)。
Inductive or Non-inductive available;
- 防水等级:根据客户要求定制。
Waterproof Grade: Custom designs welcome
- 通常用作负载、制动、脉冲、充电、放电、启动、缓冲、泄放等。
Used for loading,braking,pulse,charging,discharging,starting, buffering, discharging,ect.

■ 适用范围 (Application)

深圳市正阳兴电子的系列铝壳电阻生产周期为2-3周,广泛用于变频器、电梯、起重、船舶、电力、焊接、电源、军工、航空、风力发电、太阳能发电、自动化设备、铁路系统等行业,并可以根据客户的需要,制作成电阻箱或电阻柜。

Production Time : 2-3 weeks .Widely used in frequency converter, elevator, hoisting, ship, electric power, welding, power supply,military industry,aviation, wind power generation, solar power generation, automation equipment, railway system and other industries, and can be made into load banks according to the customers requests.

■ 产品尺寸图表ASZ12840 (Dimension Chart)



型号 Type	功率 Power	阻值范围 Resistance Range	精度 Tolerance	尺寸 Dimensions(mm)					净重(kg) N.W	温度系数 T.C.R
				L±1	W±0.5	H±0.5	P±1	L1±1		
ASZ12840	2000W	1Ω-22KΩ	J (±5%)	265	128	40	250	235	2.40	±100PPM
	2500W	1Ω-22KΩ	G (±2%)	290	128	40	275	260	2.70	~
	3000W	1Ω-22KΩ	F (±1%)	335	128	40	320	300	3.00	±400PPM

备注: 如有特殊要求或者参数超出以上标准可协商供货, 可作如下改变

1. 铝外壳尺寸 (尺寸W和H可互换位置); 2. 铝外壳颜色; 3. 安装孔大小; 4. 安装孔心距; 5. 引出端材质, 线径及长度; 6. 引出端连接器
Note: other on requests are available: 1. Size: W can be H, H also can be W; 2. Shells colour; 3. Installation holes size; 4. Installation holes distance; 5. Flying leads /Metal Terminals; 6. Flying leads connector.

■ 定货示例 (How to order)

ASZ	12840	2KW	20R	J	N
↓	↓	↓	↓	↓	↓
型号	尺寸	功率	标称阻值	精度 (J: ±5%, G: ±2%, F: ±1%)	无感 (有感不标注)
Type	Dimensions	Power	Nominal value	Tolerance (J: ±5%, G: ±2%, F: ±1%)	Non Inductive Resistor (to specify add N)

大功率铝壳电阻(High Power Aluminum Housed Resistors)ASZ15061 4KW-6KW

高稳定,抗脉冲,电动汽车预充电、工控制动优选产品；

High stability, Anti-impulse, preferred products for electric vehicle precharge & industrial control braking.

可搭配散热装置使用；满载使用时按额定功率的2-3倍标配

Can be used with cooling device. When used under full load, configured as standard according to 2-3 times of rated power.



■ 结构 (Structure)

1.核心电阻芯部件采用绝缘耐高温材料作为电阻骨架,选用高级优质合金丝均匀绕制,外加金属铝外壳,以高绝缘不燃性电子浆料进行灌封,使铝外壳与电阻核心部件紧密结合成一个坚实稳固的实体,不受外界空气、振动和灰尘影响,具有很高的稳固性和热传导性。

The resistors core components are made of insulating and high-temperature resistant materials as the resistors framework, evenly wound with high-quality alloy wires. Metal aluminum shell potted with high insulation non-combustible electronic paste, so that the aluminum shell and the resistance core components are closely combined into a solid entity, not affected by external air, vibration and dust, with high stability and thermal conductivity.

2.铝外壳采用优质工业型6063铝材,并经过表面高温阳极处理,以达到更好的外观和散热效果。

The aluminum shell is made of high-quality industrial 6063 aluminum, and the surface is high-temperature anodized to achieve attractive appearance and great heat dissipation.

■ 特点(Features)

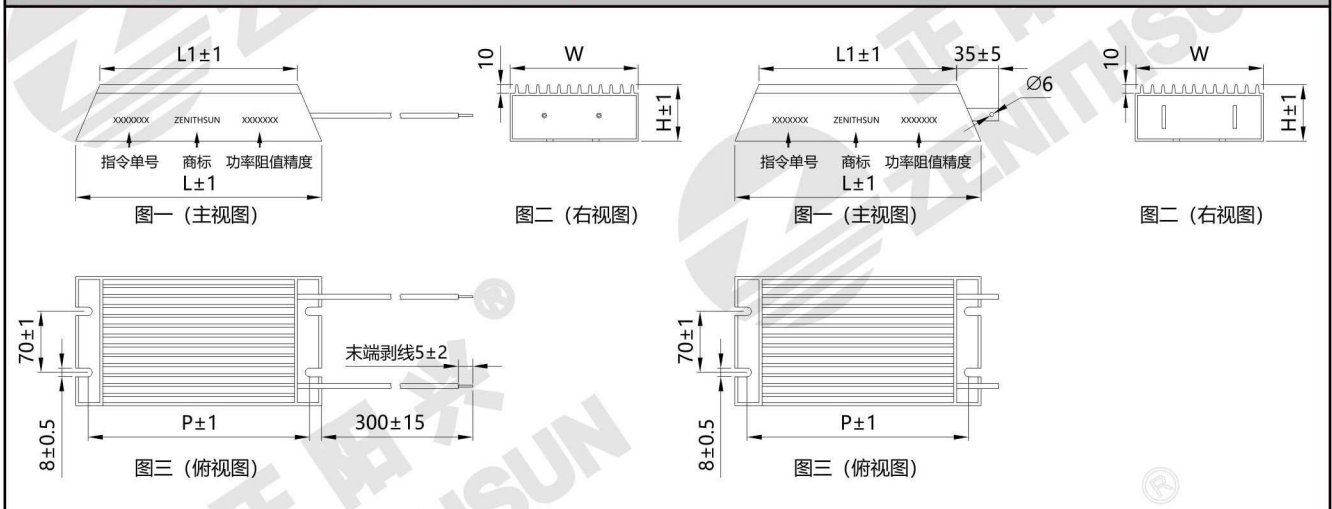
- 1.属于大功率铝壳电阻。
High Power Aluminum Housed Resistors.
- 2.功率范围:4KW-6KW
Power Range:4K W-6K W
- 3.具有高稳定、耐冲击、易安装；可靠性好，产品一致性高的特点。
High stability, impact resistance and easy installation; Good reliability & high consistency
- 4.引出端采用耐高温导线连接或金属端片连接，方便客户任意连接。
Ends outgoing: flying leads or metal terminals.
- 5.可依客户要求内置或外置温度开关。
In or external temperature switch available;
- 6.可供应有感或无感式(无感式感量偏低)。
Inductive or Non-inductive available;
- 7.防水等级：根据客户要求定制。
Waterproof Grade: Custom designs welcome
- 8.通常用作负载、制动、充电、放电、启动、缓冲、泄放等。
Used for loading, braking, pulse, charging, discharging, starting, buffering, discharging, ect.

■ 适用范围 (Application)

深圳市正阳兴电子的系列铝壳电阻生产周期为2-3周，广泛用于变频器、电梯、起重、船舶、电力、焊接、电源、军工、航空、风力发电、太阳能发电、自动化设备、铁路系统等行业，并可以根据客户的需要，制作成电阻箱或电阻柜。

Production Time : 2-3 weeks .Widely used in frequency converter, elevator, hoisting, ship, electric power, welding, power supply, military industry, aviation, wind power generation, solar power generation, automation equipment, railway system and other industries, and can be made into load banks according to the customers requests.

■ 产品尺寸图表ASZ15061 (Dimension Chart)



型号 Type	功率 Power	阻值范围 Resistance Range	精度 Tolerance	尺寸 Dimensions(mm)					净重(kg) N.W	温度系数 T.C.R
				L±1	W±0.5	H±0.5	P±1	L1±1		
ASZ15061	4000W	1Ω-22KΩ	J (±5%)	450	150	61	438	400	7.00	±100PPM
	5000W	1Ω-22KΩ	G (±2%)	550	150	61	538	500	8.50	~
	6000W	1Ω-22KΩ	F (±1%)	600	150	61	588	550	10.00	±400PPM

备注：如有特殊要求或者参数超出以上标准可协商供货，可作如下改变
1. 铝外壳尺寸 (尺寸W和H可互换位置) ; 2. 铝外壳颜色; 3. 安装孔大小; 4. 安装孔心距; 5. 引出端材质, 线径及长度; 6. 引出端连接器
Note: other on requests are available: 1. Size: W can be H, H also can be W; 2. Shells colour; 3. Installation holes size; 4. Installation holes distance; 5. Flying leads /Metal Terminals; 6. Flying leads connector.

■ 定货示例 (How to order)

ASZ	15061	5KW	20R	J	N
↓	↓	↓	↓	↓	↓
型号	尺寸	功率	标称阻值	精度 (J: ±5%, G: ±2%, F: ±1%)	无感 (有感不标注)
Type	Dimensions	Power	Nominal value	Tolerance (J: ±5%, G: ±2%, F: ±1%)	Non Inductive Resistor (to specify add N)

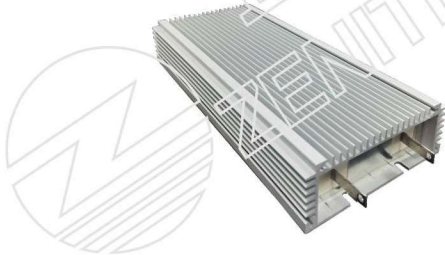
大功率铝壳电阻(High Power Aluminum Housed Resistors)ASZ17565 4KW-6KW

高稳定,抗脉冲,电动汽车预充电、工控制动优选产品；

High stability, Anti-impulse, preferred products for electric vehicle precharge & industrial control braking.

可搭配散热装置使用；满载使用时按额定功率的2-3倍标配

Can be used with cooling device. When used under full load, configured as standard according to 2-3 times of rated power.



■ 结构 (Structure)

1. 核心电阻芯部件采用绝缘耐高温材料作为电阻骨架,选用高级优质合金丝均匀绕制,外加金属铝外壳,以高绝缘不燃性电子浆料进行灌封,使铝外壳与电阻核心部件紧密结合成一个坚实稳固的实体,不受外界空气、振动和灰尘影响,具有很高的稳固性和热传导性。
The resistors core components are made of insulating and high-temperature resistant materials as the resistors framework, evenly wound with high-quality alloy wires. Metal aluminum shell potted with high insulation non-combustible electronic paste, so that the aluminum shell and the resistance core components are closely combined into a solid entity, not affected by external air, vibration and dust, with high stability and thermal conductivity.

2. 铝外壳采用优质工业型6063铝材,并经过表面高温阳极处理,以达到更好的外观和散热效果。
The aluminum shell is made of high-quality industrial 6063 aluminum, and the surface is high-temperature anodized to achieve attractive appearance and great heat dissipation.

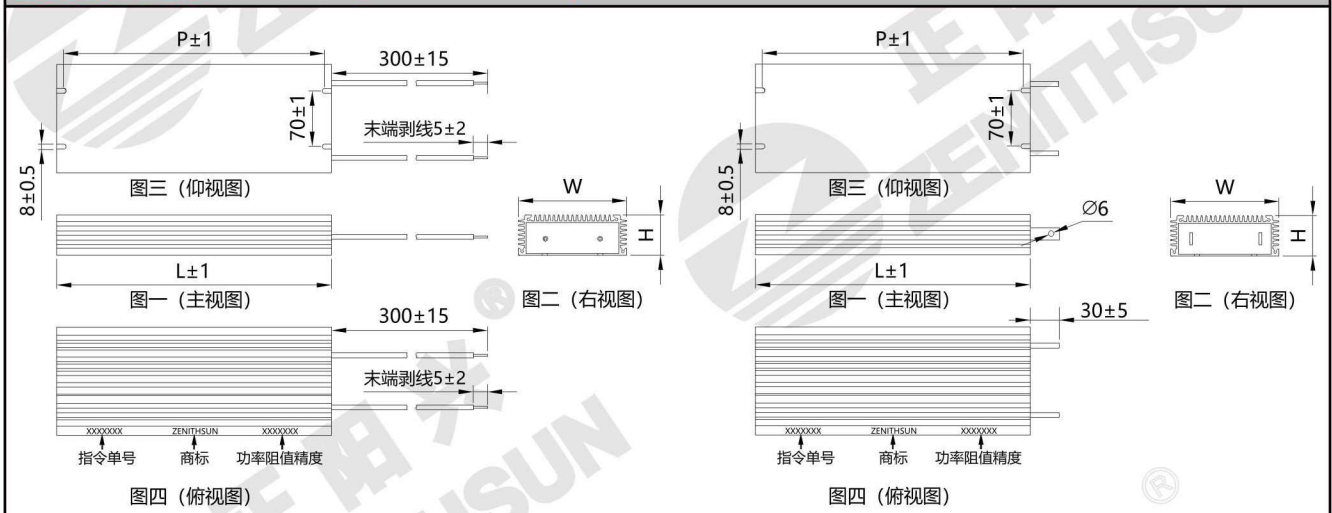
■ 特点(Features)

- 属于大功率铝壳电阻。
High Power Aluminum Housed Resistors.
- 功率范围:4KW-6KW
Power Range:4K W-6K W
- 具有高稳定、耐冲击、易安装；可靠性好，产品一致性高的特点。
High stability, impact resistance and easy installation; Good reliability & high consistency
- 引出端采用耐高温导线连接或金属端片连接，方便客户任意连接。
Ends outgoing: flying leads or metal terminals.
- 可依客户要求内置或外置温度开关。
In or external temperature switch available;
- 可供有感或无感式(无感式感量偏低)。
Inductive or Non-inductive available;
- 防水等级：根据客户要求定制。
Waterproof Grade: Custom designs welcome
- 通常用作负载、制动、脉冲、充电、放电、启动、缓冲、泄放等。
Used for loading, braking, pulse, charging, discharging, starting, buffering, discharging, ect.

■ 适用范围 (Application)

深圳市正阳兴电子的系列铝壳电阻生产周期为2-3周，广泛用于变频器、电梯、起重、船舶、电力、焊接、电源、军工、航空、风力发电、太阳能发电、自动化设备、铁路系统等行业，并可以根据客户的需要，制作成电阻箱或电阻柜。
Production Time : 2-3 weeks . Widely used in frequency converter, elevator, hoisting, ship, electric power, welding, power supply, military industry, aviation, wind power generation, solar power generation, automation equipment, railway system and other industries, and can be made into load banks according to the customers requests.

■ 产品尺寸图表ASZ17565 (Dimension Chart)



型号 Type	功率 Power	阻值范围 Resistance Range	精度 Tolerance	尺寸 Dimensions(mm)				净重(kg) N.W	温度系数 T.C.R	备注 Note
				L±1	W±0.5	H±0.5	P±1			
ASZ17565	4KW	1Ω-22KΩ	J (±5%)	400	175	65	380	7.60	±100PPM	
	5KW	1Ω-22KΩ	G (±2%)	500	175	65	480	9.00	~	
	6KW	1Ω-22KΩ	F (±1%)	600	175	65	580	11.00	±400PPM	

备注：如有特殊要求或者参数超出以上标准可协商供货，可作如下改变
1. 铝外壳尺寸（尺寸W和H可互换位置）；2. 铝外壳颜色；3. 安装孔大小；4. 安装孔心距；5. 引出端材质、线径及长度；6. 引出端连接器
Note: other on requests are available: 1. Size: W can be H, H also can be W; 2. Shells colour; 3. Installation holes size; 4. Installation holes distance; 5. Flying leads /Metal Terminals; 6. Flying leads connector.

■ 定货示例 (How to order)

ASZ	17565	5KW	20R	J	N
↓	↓	↓	↓	↓	↓
型号	尺寸	功率	标称阻值	精度 (J: ±5%, G: ±2%, F: ±1%)	无感 (有感不标注)
Type	Dimensions	Power	Nominal value	Tolerance (J: ±5%, G: ±2%, F: ±1%)	Non Inductive Resistor (to specify add N)

大功率铝壳电阻(High Power Aluminum Housed Resistors)ASZ175145 8KW-12KW

高稳定,抗脉冲,电动汽车预充电、工控制动优选产品;

High stability, Anti-impulse, preferred products for electric vehicle precharge & industrial control braking.

可搭配散热装置使用; 满载使用时按额定功率的2-3倍标配

Can be used with cooling device. When used under full load, configured as standard according to 2-3 times of rated power.



■ 结构 (Structure)

1. 核心电阻芯部件采用绝缘耐高温材料作为电阻骨架, 选用高级优质合金丝均匀绕制, 外加金属铝外壳, 以高绝缘不燃性电子浆料进行灌封, 使铝外壳与电阻核心部件紧密结合成一个坚实稳固的实体, 不受外界空气、振动和灰尘影响, 具有很高的稳固性和热传导性。

The resistors core components are made of insulating and high-temperature resistant materials as the resistors framework, evenly wound with high-quality alloy wires. Metal aluminum shell potted with high insulation non-combustible electronic paste, so that the aluminum shell and the resistance core components are closely combined into a solid entity, not affected by external air, vibration and dust, with high stability and thermal conductivity.

2. 铝外壳采用优质工业型6063铝材, 并经过表面高温阳极处理, 以达到更好的外观和散热效果。

The aluminum shell is made of high-quality industrial 6063 aluminum, and the surface is high-temperature anodized to achieve attractive appearance and great heat dissipation.

■ 特点(Features)

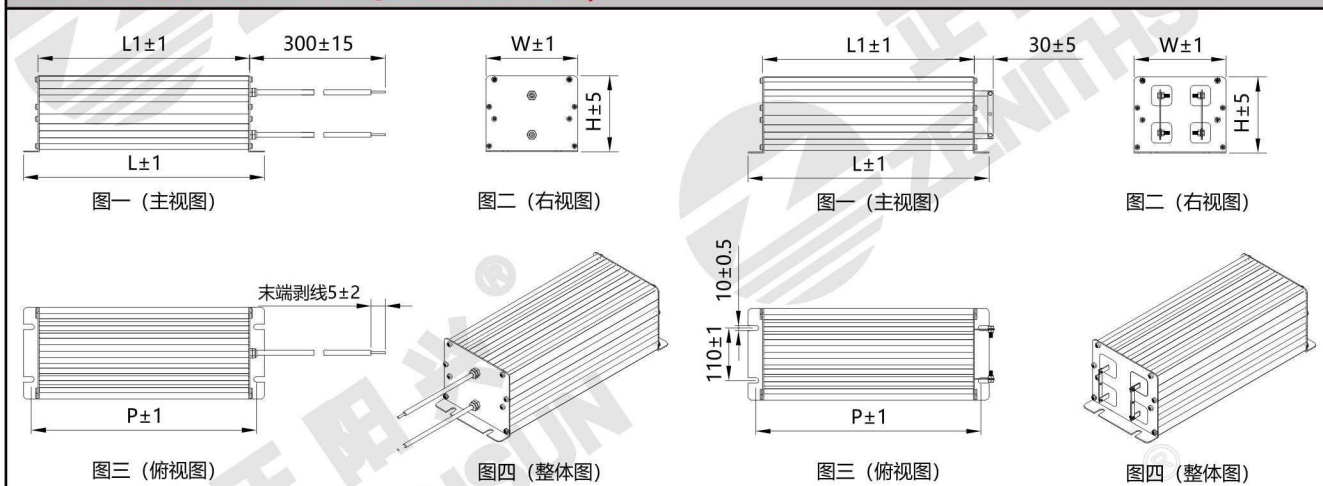
1. 属于大功率铝壳电阻。
High Power Aluminum Housed Resistors.
2. 功率范围: 8KW-12KW
Power Range: 8KW-12KW
3. 具有高稳定、耐冲击、易安装; 可靠性好, 产品一致性高的特点。
High stability, impact resistance and easy installation; Good reliability & high consistency
4. 引出端采用耐高温导线连接或金属端片连接, 方便客户任意连接。
Ends outgoing: flying leads or metal terminals.
5. 可依客户要求内置或外置温度开关。
In or external temperature switch available;
6. 可供有感或无感式(无感式感量偏低)。
Inductive or Non-inductive available;
7. 防水等级: 根据客户要求定制。
Waterproof Grade: Custom designs welcome
8. 通常用作负载、制动、脉冲、充电、放电、启动、缓冲、泄放等。
Used for loading, braking, pulse, charging, discharging, starting, buffering, discharging, ect.

■ 适用范围 (Application)

深圳市正阳兴电子的系列铝壳电阻生产周期为2-3周, 广泛用于变频器、电梯、起重、船舶、电力、焊接、电源、军工、航空、风力发电、太阳能发电、自动化设备、铁路系统等行业, 并可以根据客户的需要, 制作成电阻箱或电阻柜。

Production Time: 2-3 weeks. Widely used in frequency converter, elevator, hoisting, ship, electric power, welding, power supply, military industry, aviation, wind power generation, solar power generation, automation equipment, railway system and other industries, and can be made into load banks according to the customers requests.

■ 产品尺寸图表ASZ175145 (Dimension Chart)



型号 Type	功率 Power	阻值范围 Resistance Range	精度 Tolerance	尺寸 Dimensions(mm)					净重(kg) N.W	温度系数 T.C.R
				L±1	W±0.5	H±0.5	P±1	L1±1		
ASZ175145	8KW	1Ω-22KΩ	J (±5%)	494	175	145	472	450	17.00	±100PPM
	10KW	1Ω-22KΩ	G (±2%)	594	175	145	572	550	20.65	~
	12KW	1Ω-22KΩ	F (±1%)	644	175	145	622	600	22.50	±400PPM

备注: 如有特殊要求或者参数超出以上标准可协商供货, 可作如下改变

1. 铝外壳尺寸 (尺寸W和H可互换位置); 2. 铝外壳颜色; 3. 安装孔大小; 4. 安装孔心距; 5. 引出端材质, 线径及长度; 6. 引出端连接器
- Note: other on requests are available: 1. Size: W can be H, H also can be W; 2. Shells colour; 3. Installation holes size; 4. Installation holes distance; 5. Flying leads /Metal Terminals; 6. Flying leads connector.

■ 定货示例 (How to order)

ASZ	175145	12KW	20R	J	N
↓	↓	↓	↓	↓	↓
型号	尺寸	功率	标称阻值	精度 (J: ±5%, G: ±2%, F: ±1%)	无感 (有感不标注)
Type	Dimensions	Power	Nominal value	Tolerance (J: ±5%, G: ±2%, F: ±1%)	Non Inductive Resistor (to specify add N)

大功率铝壳电阻(High Power Aluminum Housed Resistors)ASZ175220 15KW-30KW

高稳定,抗脉冲,电动汽车预充电、工控制动优选产品;

High stability,Anti-impulse,preferred products for electric vehicle precharge&industrial control braking.

可搭配散热装置使用;满载使用时按额定功率的2-3倍标配

Can be used with cooling device.When used under full load,configured as standard according to 2-3 times of rated power.



■ 结构 (Structure)

1.核心电阻芯部件采用绝缘耐高温材料作为电阻骨架,选用高级优质合金丝均匀绕制,外加金属铝外壳,以高绝缘不燃性电子浆料进行灌封,使铝外壳与电阻核心部件紧密结合成一个坚实稳固的实体,不受外界空气、振动和灰尘影响,具有很高的稳固性和热传导性。

The resistors core components are made of insulating and high-temperature resistant materials as the resistors framework, evenly wound with high-quality alloy wires.Metal aluminum shell potted with high insulation non-combustible electronic paste,so that the aluminum shell and the resistance core components are closely combined into a solid entity, not affected by external air, vibration and dust,with high stability and thermal conductivity.

2.铝外壳采用优质工业型6063铝材,并经过表面高温阳极处理,以达到更好的外观和散热效果。

The aluminum shell is made of high-quality industrial 6063 aluminum, and the surface is high-temperature anodized to achieve attractive appearance and great heat dissipation.

■ 特点(Features)

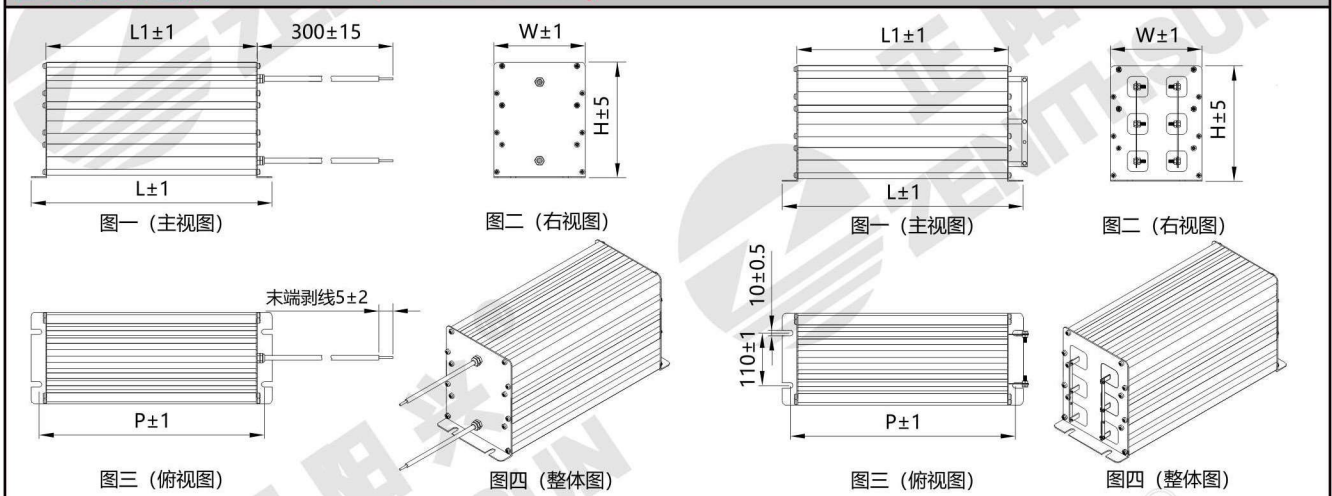
- 属于大功率铝壳电阻。
High Power Aluminum Housed Resistors.
- 功率范围:15KW-30KW
Power Range:15KW-30KW
- 具有高稳定、耐冲击、易安装;可靠性好,产品一致性高的特点。
High stability,impact resistance and easy installation;Good reliability & high consistency
- 引出端采用耐高温导线连接或金属端片连接,方便客户任意连接。
Ends outgoing:flying leads or metal terminals.
- 可依客户要求内置或外置温度开关。
In or external temperature switch available;
- 可供有感或无感式(无感式感量偏低)。
Inductive or Non-inductive available;
- 防水等级:根据客户要求定制。
Waterproof Grade: Custom designs welcome
- 通常用作负载、制动、脉冲、充电、放电、启动、缓冲、泄放等。
Used for loading,braking,pulse,charging,discharging,starting, buffering, discharging,ect.

■ 适用范围 (Application)

深圳市正阳兴电子的系列铝壳电阻生产周期为2-3周,广泛用于变频器、电梯、起重、船舶、电力、焊接、电源、军工、航空、风力发电、太阳能发电、自动化设备、铁路系统等行业,并可以根据客户的需要,制作成电阻箱或电阻柜。

Production Time : 2-3 weeks .Widely used in frequency converter, elevator, hoisting, ship, electric power, welding, power supply,military industry,aviation, wind power generation, solar power generation, automation equipment, railway system and other industries, and can be made into load banks according to the customers requests.

■ 产品尺寸图表ASZ175220 (Dimension Chart)



型号 Type	功率 Power	阻值范围 Resistance Range	精度 Tolerance	尺寸 Dimensions(mm)					净重(kg) N.W	温度系数 T.C.R
				L±1	W±0.5	H±0.5	P±1	L1±1		
ASZ175220	15KW	1Ω-22KΩ	J (±5%) G (±2%) F (±1%)	494	175	220	472	450	25.50	±100PPM
	20KW	1Ω-22KΩ		544	175	220	522	500	28.00	
	25KW	1Ω-22KΩ		594	175	220	572	550	31.00	±400PPM
	30KW	1Ω-22KΩ		644	175	220	622	600	34.00	

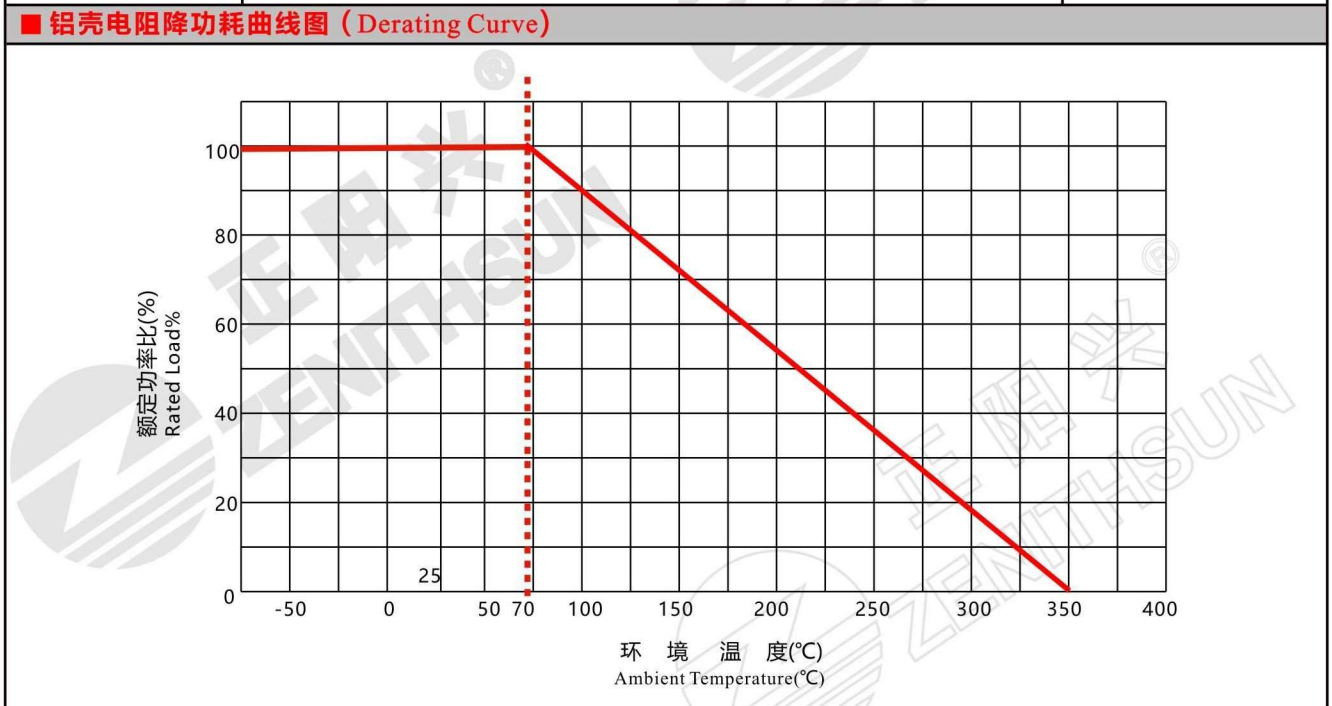
备注: 如有特殊要求或者参数超出以上标准可协商供货, 可作如下改变

1. 铝外壳尺寸 (尺寸W和H可互换位置); 2. 铝外壳颜色; 3. 安装孔大小; 4. 安装孔心距; 5. 引出端材质, 线径及长度; 6. 引出端连接器
Note: other on requests are available: 1. Size: W can be H, H also can be W; 2. Shells colour; 3. Installation holes size; 4. Installation holes distance; 5. Flying leads /Metal Terminals; 6. Flying leads connector.

■ 定货示例 (How to order)

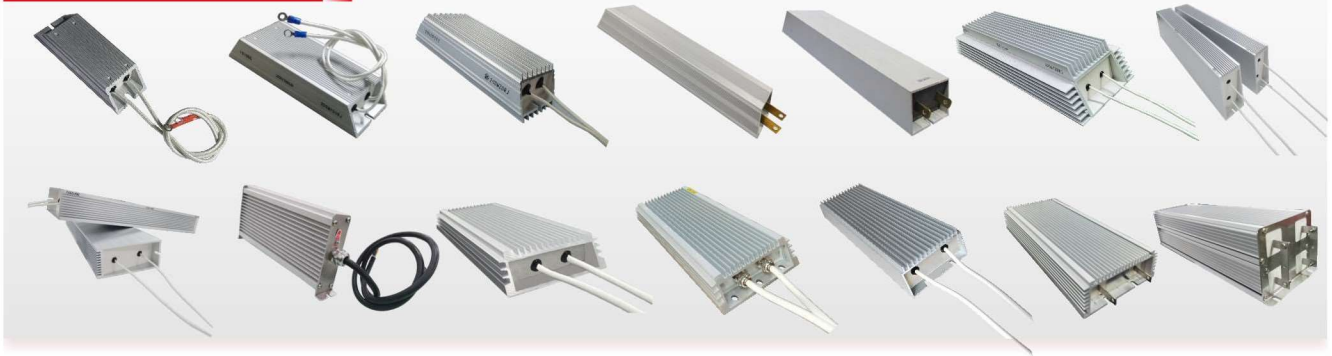
ASZ	175220	15KW	20R	J	N
↓	↓	↓	↓	↓	↓
型号	尺寸	功率	标称阻值	精度 (J: ±5%, G: ±2%, F: ±1%)	无感 (有感不标注)
Type	Dimensions	Power	Nominal value	Tolerance (J: ±5%, G: ±2%, F: ±1%)	Non Inductive Resistor (to specify add N)

■ 铝壳电阻性能实验参数 (Performance Characteristics)		
项目 Test	试验条件 Conditions of Test	性能要求 Testing Results
电阻值容许误差 Resistance Tolerance	测试电压 ≤ 3V, 环境温度 25°C Testing Voltage ≤ 3V, Ambient Temperature 25°C	F---G---J--K
温度系数 T.C.R	$\frac{R1-R0}{R0(T1-T0)} \times 10^6$ (PPM/°C) R0: 常温(T0)下阻值 R0: Room Temperature(T0)Resistance R1: 常温T0+100°C(T1)下阻值 R1: Room Temperature T0+100°C(T1)Resistance	±100PPM ~ ±400PPM
额定负荷 Rated Load	40°C 额定电压, 1小时 40°C, rated voltage, 1 hour	$\Delta R \leq \pm(3\%R + 0.1\Omega)$
短时间过负荷 Short Time Overload	5倍额定功率, 10秒; 10倍额定功率 5秒; 25倍额定功率 1秒 5 times rated power for 10s; 10 times rated power for 5s; 25 times rated power for 1s	$\Delta R \leq \pm(2\%R + 0.1\Omega)$
引出端对地绝缘耐压 Dielectric Withstand	0.8KV-7KV Vac 60秒, 漏电流 2.5mA 0.8KV-7KV Vac 60s, leakage current 2.5mA	$\Delta R \leq \pm(0.1\%R + 0.05\Omega)$
绝缘电阻值 Insulation Resistance	1000VDC	50-1000MΩ 1Min
引出端强度 Terminal Tensile Strength	引出端直径 1.5以下 20N, 直径 1.5以上 40N, 连接器端拉力 20N Wire diameter ≤ 1.5 with 20N, wire diameter ≥ 1.5 with 40N, terminal tension 20N 端片式(铜端片/不锈钢端片) 40N / Copper end / stainless steel end, 40N	无脱落 No off
耐振性 Vibration resistance	1.5mm, 10-55-10Hz, 分别 2小时 1.5mm, 10-55-10Hz, each 2 hours	无破损, 无脱落 No damage, No off
室温耐久性 Load Life	额定电压, 通电 90分钟, 停 30分钟, 共 500小时 At rated voltage, 90 min "On", 30 min "Off", total 500 hours	$\Delta R \leq \pm(3\%R + 0.1\Omega)$
耐低温试验 Low Temp. Resistance	产品在 -55°C ± 2°C 环境条件下储存 16H 后, 接入额定电压直流回路持续 1秒 Store at -55 °C ± 2 °C for 16h, connect the rated voltage DC circuit for 1s	$\Delta R \leq \pm(1\%R + 0.1\Omega)$
耐高温试验 High Temp. Resistance	产品在 70°C ± 2°C 环境条件下储存 16H 后, 接入额定电压直流回路持续 1秒 Store at 70 °C ± 2 °C for 16h, connect the rated voltage DC circuit for 1s	$\Delta R \leq \pm(1\%R + 0.1\Omega)$
不燃性 Non-flammability	10倍额定功率, 通电 5分钟 10 times rated power, power on for 5Min	允许开路, 但不燃烧 Without combustion

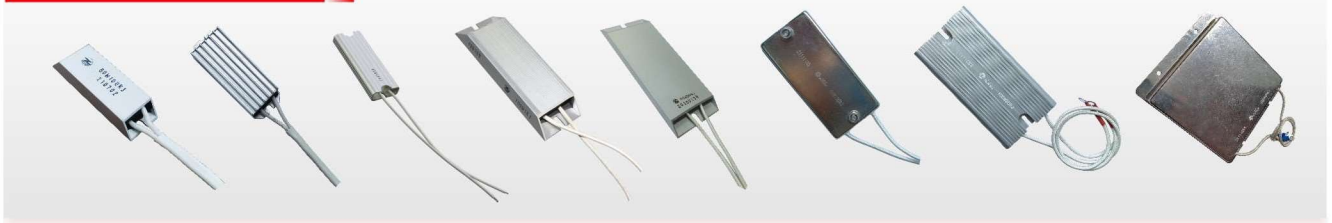


电阻产品体系图>>>

铝壳电阻ASZ



铝壳电阻ASCB



铝壳电阻RH/NH,ASC



高压电阻R180



电阻产品体系图>>>

厚膜电阻ZMP/RI82/RF82



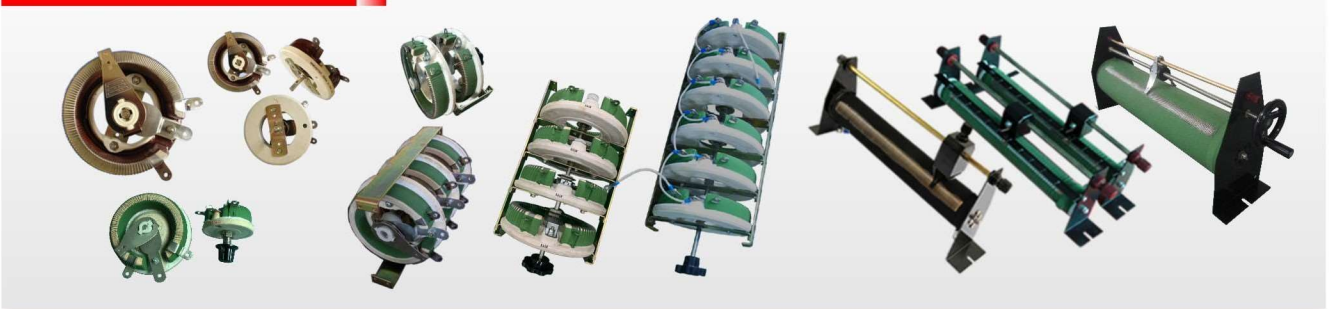
水冷电阻SLR



绕线电阻DDR/DNR、DQR/DQN、DSR、DRBY/DSBY



滑动电阻DSY、DST、BC1



电阻产品体系图>>>

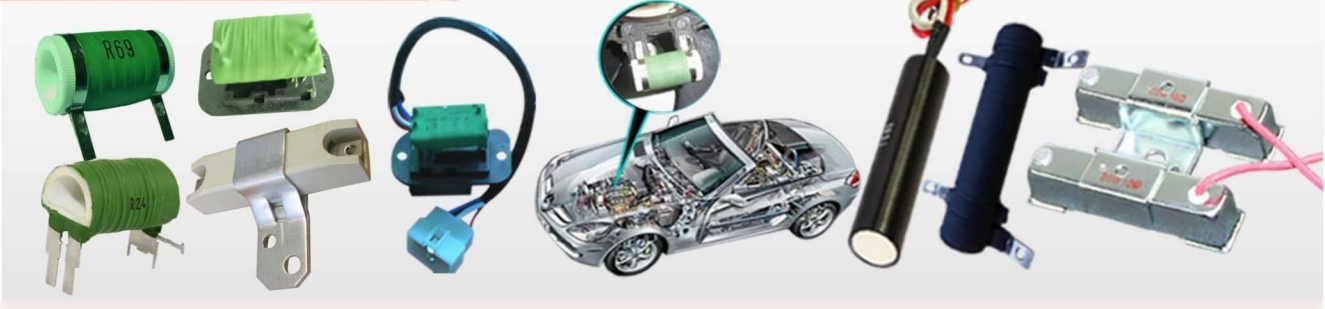
板型电阻ZB



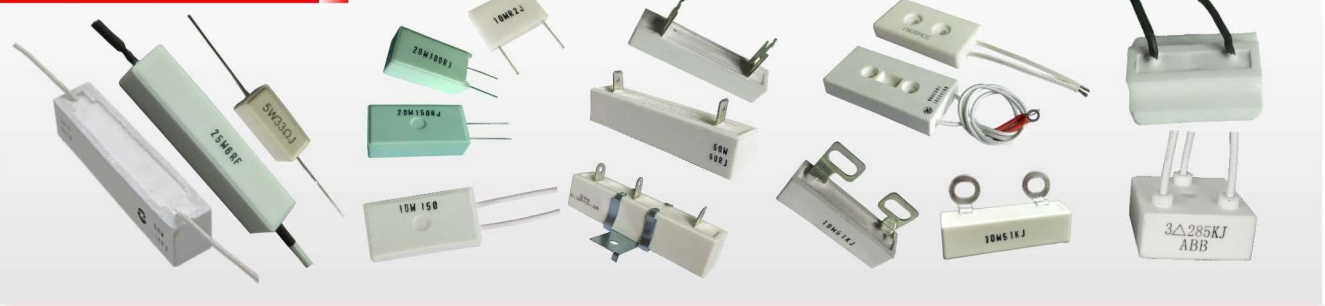
高能电阻HD



汽车电阻DQTS/摩托车电阻TWS

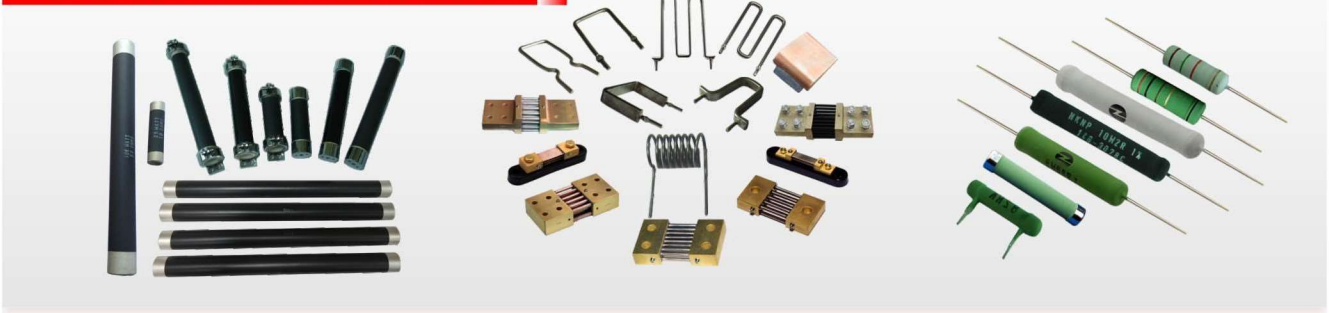


水泥电阻SR



电阻产品体系图>>>

碳膜高压电阻PC/分流器FL/瓷棒绕线电阻KN



无极可调电阻箱DSYB、DSTB、BC1B



不锈钢电阻BXG



风冷阻负载DRLB/水冷负载SRLB

